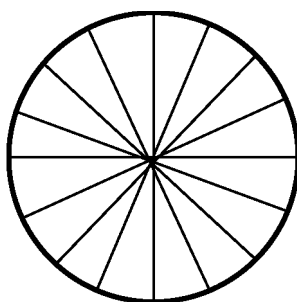


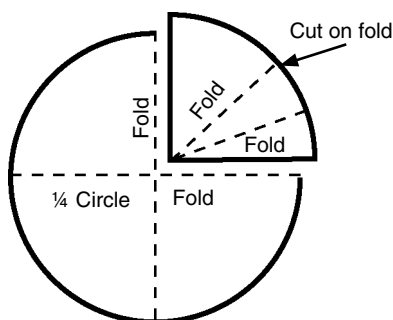
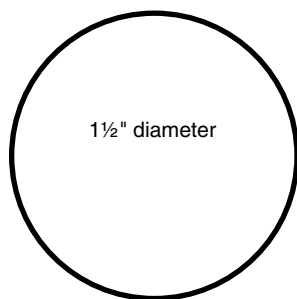
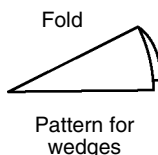
## Fan Place Mat

By Nancy Rhode

**M**ake this place mat from scraps of fabric. Brighten your table with colorful variations.



1. Spray starch then iron all fabrics three or four times.
2. Spread a thin coat of glue on wrong side of printed fabric. Cut out 1½" circle pattern of cardstock. Trace circle on back of each printed fabric. Cut out.



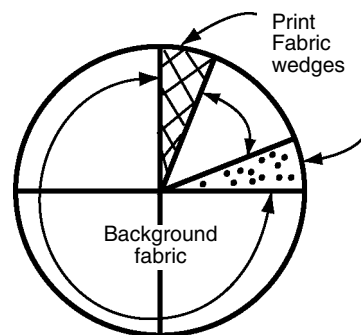
3. Trace card circle onto thin paper. Cut out. Fold paper circle in half, then in half again. Cut out one of the quarter circles. Fold it in half, cut it on the fold. Fold 1/8 circle in half. Use this piece to mark in fabric circles on the wrong side, dividing each circle into 16 pie-shaped wedges. Cut out a few wedges from each circle.

4. On the background fabric trace 1½" circle using card pattern. Use paper circle to mark quarter circle lines on 1½" circle.
5. Choose two wedges and glue each wedge even with lines drawn on circle, having curved edges of wedges even with edges of circles. Fill space between glued wedges with more wedges. Trim points slightly if neces-

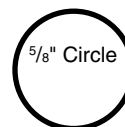
### What You'll Need:

- 6 or more small prints (cotton fabric)
- Thin cotton fabrics—white or off-white (background) and solid colors (centers)
- Pencil
- Small scissors
- Spray starch and iron
- Thin craft glue (Sobo)
- Cardstock
- Paper
- Ruler

sary to fit with edges butted together. Continue around the circle till filled with wedges. Trim around completed circle.



6. Center Circle - Spread thin coat of glue on back of solid fabric. Draw 5/8" circle on back, one for each mat. Center circle and glue in place.



BON APPETIT!